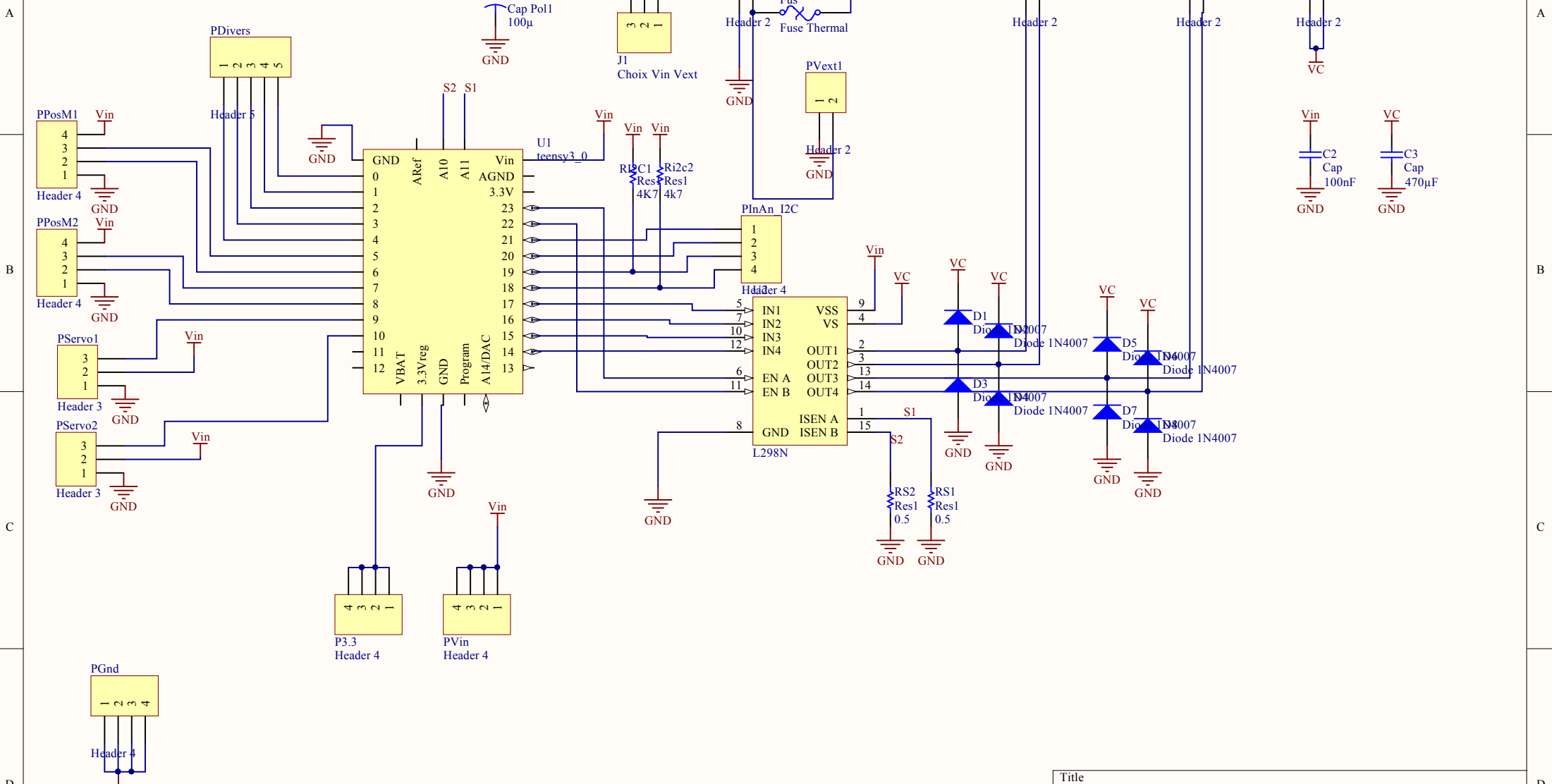
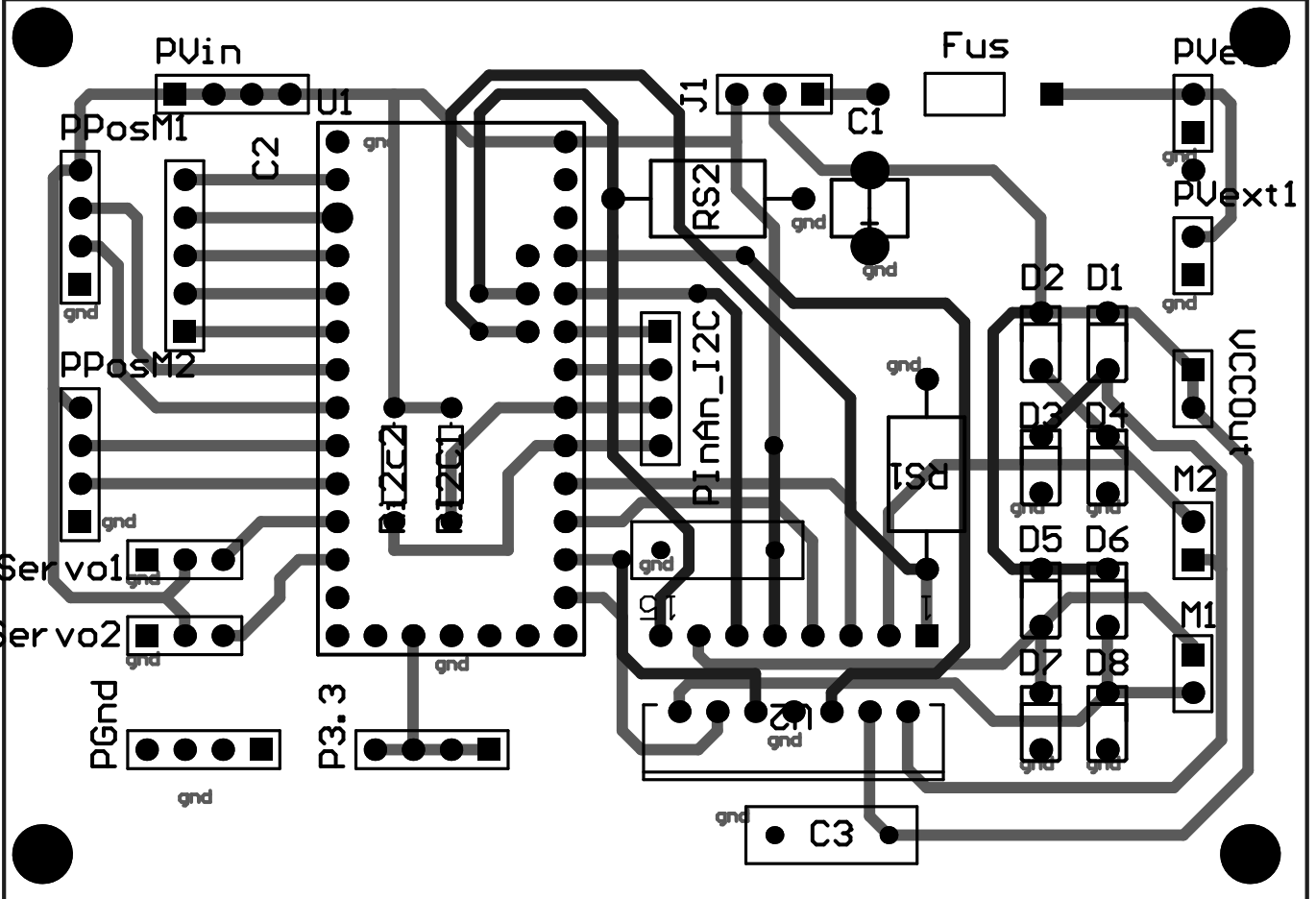


Vin = 5V USB



Title		
Size	Number	Revision
A4		
Date:	29/03/2016	Sheet of
File:	C:\Users\...\Sheet\TeensyRobotL298N_Orad\66110c	

PDivers



Verifier implentation des diodes